

## FIXTURE SPECIFICATIONS

### INTENDED USE

The specification grade **Alcon Lighting Block Commercial LED Linear Surface Direct Down Light Strip** delivers continuous clean lines and clear light to commercial, hospitality and residential interior flush mount lighting applications. Our modern, slim profiles and stylish ceiling light fixture designs offer excellent illumination, exceptional performance and versatility in offices, classrooms, conference rooms, museums, retail outlets, hotels, restaurants, and more.

### AVAILABLE LENGTHS

**2FT** | W 2.75" x L 24" x H 3.625"

**4FT** | W 2.75" x L 48" x H 3.625"

**8FT** | W 2.75" x L 96" x H 3.625"

**Custom Length** | Consult Factory

### FEATURES

**Construction:** Die-Formed and Welded 22-Gauge Cold Rolled Steel

**Lens:** Glare Free Snap In Frosted Acrylic for Even Distribution

**Voltage:** 120-277V

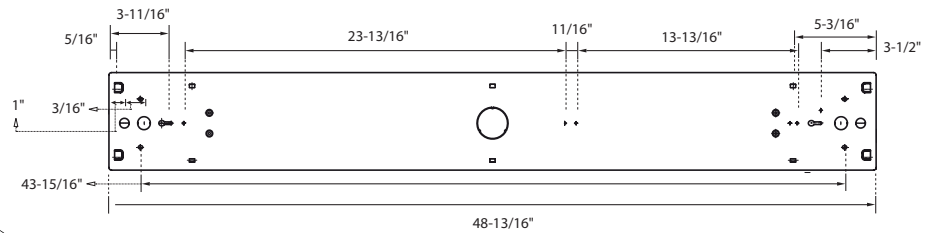
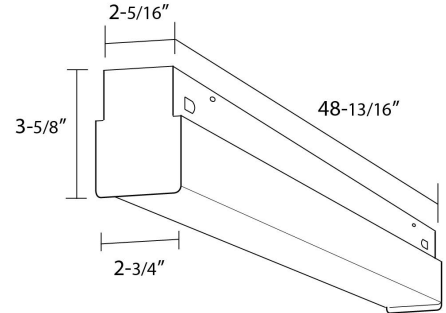
**CRI:** 80+ is Standard (90+ is optional)

**Dimming:** 0-10V

**Life:** 50,000 Hours

**Warranty:** 5 Years Carefree for Parts & Components (Labor Not Included)

**Listings:** cETLus Listed, UL/cUL Listed, DLC Listed, Suitable for Damp Locations



## ORDERING INFORMATION Example: (11243-D218-30K-EM5-LV)

Model	Wattage   Lumens	Color Temp	Options	Optional Controls
<b>11243-2</b> 24" Surface	<b>D218</b> 18 Watts   1944 Lumens	<b>30K</b> 3000K	<b>EM5</b> 5W Emergency Ballast	<b>LE</b> Lutron EcoSystem™
	<b>D236</b> 36 Watts   3888 Lumens	<b>35K</b> 3500K	<b>EM8</b> 8W Emergency Ballast	<b>BM</b> Bluetooth Mesh
	<b>40K</b> 4000K	<b>EM16</b> 16W Emergency Ballast		
<b>11243-4</b> 48" Surface	<b>D427</b> 27 Watts   2916 Lumens	<b>50K</b> 5000K	<b>DD</b> Integrated Daylight Dimming Photosensor	
	<b>D436</b> 36 Watts   3888 Lumens		<b>OS</b> Integrated Occupancy Sensor	
	<b>D454</b> 54 Watts   5832 Lumens			
<b>11243-8</b> 96" Surface	<b>D854</b> 56 Watts   5832 Lumens			
	<b>D872</b> 72 Watts   7776 Lumens			
	<b>D8108</b> 108 Watts   11664 Lumens			